

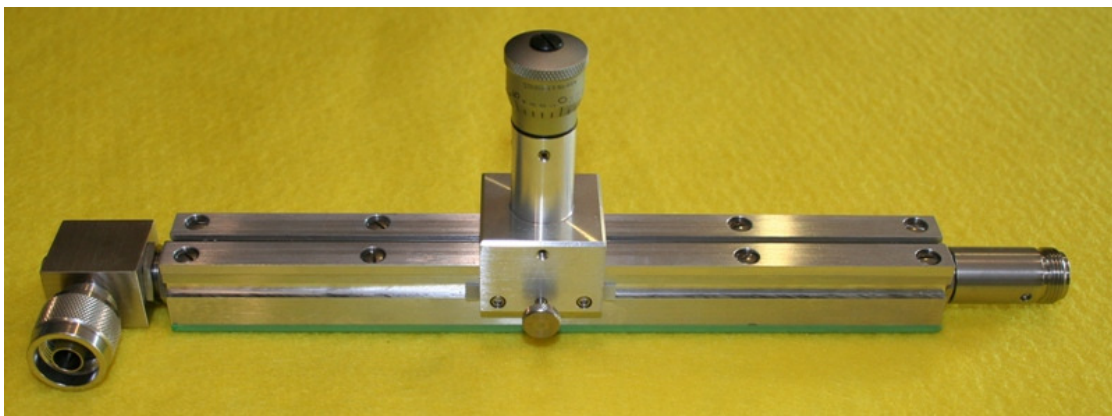
STUB TUNERS

0.2 – 13.0 GHz

Double Stub and Sliding Screw Tuners					
Model Number	Frequency Range (GHz)	Insertion Loss (dB, max)	Notch Depth (dB)	Connectors	Page No.
WA200261	0.75 to 1.24	0.2	>20	N	150
DS-109LL	0.2 to 2.0	0.5	>40	N	151
DS-109L	0.4 to 4.0	0.5	>40	N	151
DS-109	0.75 to 13.0	0.5	>40	N	151

Features

- Precision Operation:** Stub Tuners allow precision matching within RF systems and subsystems to ensure optimum power transmission from source to load.
- Broadband Operation:** Each tuner is design to operate over a wide range of frequencies.
- Mechanical Locking:** Rugged mechanical locking mechanisms are employed to secure the tuner in the optimal configuration.



WEINSCHEL ASSOCIATES

TEL: 877.948.8342 / 301.963.4630 ♦ Fax: 301.963.8640

WEB: <http://www.WeinschelAssociates.com>

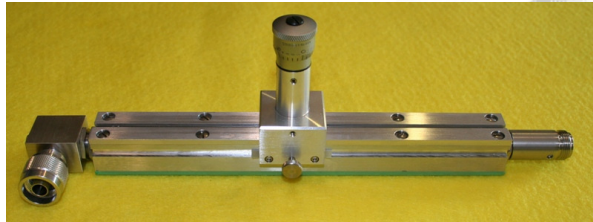
EMAIL: sales@WeinschelAssociates.com

149

Specification
Subject to change
without notice

0.75 – 1.24 GHz

300 WATTS



Features

Optimizes transmitter performance. This Slide-Screw Tuner is capable of adjusting a source or load VSWR of 2:1 to reduce reflected power to 1% maximum of incident. Designed to meet MIL-A-3933 environmental specifications. Unit may be mounted in a horizontal or vertical position. Convection cooled, full power rating without forced air cooling.

Specifications

Nominal Impedance: 50 ohms

Frequency Range: 0.75 - 1.24GHz

Nominal Insertion Loss: <0.2 dB

Tuning: <1 %

Power Rating: 300 watts average, 300 Volt peak voltages over the operating temperature range. 3 kW peak.

Temperature Range:

-55°C to +125°C storage
0°C to +90°C operating

Operation: Patented Manual locking Micrometer adjustment mechanism.

Construction: Clear iridite aluminum alloy body with passivated stainless steel connectors. Gold plated beryllium copper female contacts, stainless steel male contacts.

Connectors: Type N stainless steel M/F connectors per MIL-STD-348A, interface dimensions mate nondestructively with MIL-PRF-39012.

Weight: 0.51 kg/ 1.13 lb.

Physical Dimensions:

Length: 280 (11.0) max
Width: 50.8 (2.0) max
Height: 83.8 (3.3) max

Note: Dimensions are given in mm (inches) unless otherwise specified.

Note: Design protected by patent.



WEINSCHEL ASSOCIATES

TEL: 877.948.8342 / 301.963.4630 ♦ Fax: 301.963.8640

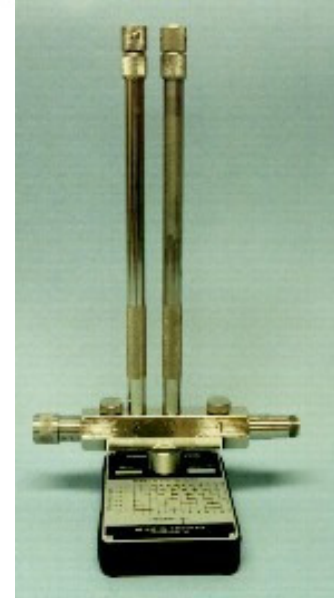
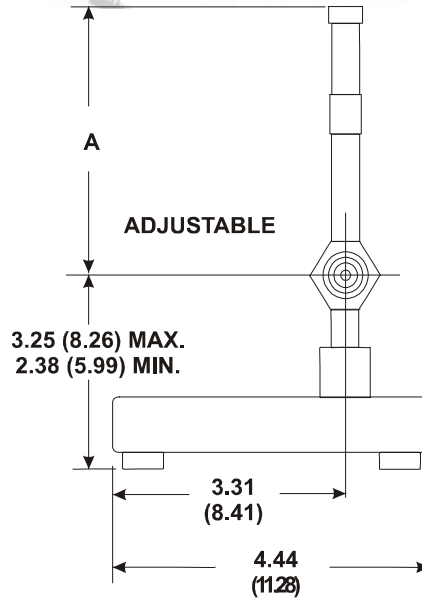
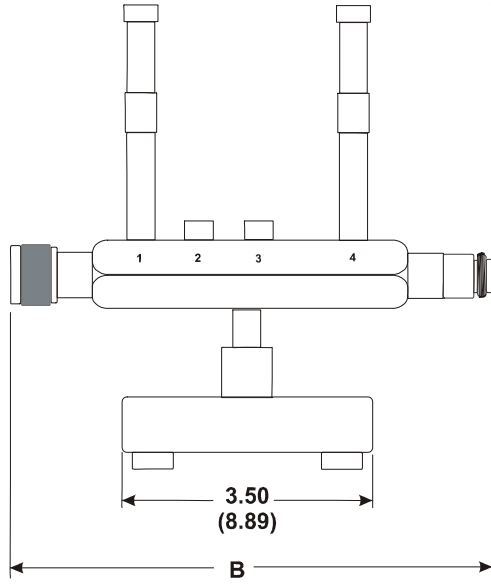
WEB: <http://www.WeinschelAssociates.com>

EMAIL: sales@WeinschelAssociates.com

Double Stub Tuner

MODEL DS-109

40 MHz – 13.0 GHz



Specifications

Nominal Impedance: 50 ohms

Matching Range: From 7:1 to 1.00 within tuner frequency range.

Dimensions:

Model No.	DIM "A" *	DIM "B"
DS-109	18.50 (46.49)	7.38 (18.75)
DS-109L	32.50 (82.55)	7.38 (18.75)
DS-109LL	63.25 (160.66)	12.00 (30.48)

Model No.	DS - 109	DS - 109L	DS - 109LL **
Frequency	0.75 – 13.0 GHz	0.4 – 4.0 GHz	0.2 – 2.0 GHz
Length of Stub	70.5 cm.	38cm.	53 cm.
Net Weight	5 lbs. (2.56 kg)	6 lbs. (2.73 kg)	12 lbs. (5.45 kg)
Shipping Weight	8 lbs. (3.64 kg)	9 lbs. (4.38 kg)	15 lbs. (6.82 kg)

Connectors: Tuners are equipped with close tolerance, stainless steel Type N, one male, one female, for long life with minimum wear.

Construction:

* Stub height is adjustable, maximum value given

** Two pedestals are used for DS-109LL

Note: Dimensions are given in mm (inched). Dimensions are maximum unless otherwise specified



WEINSCHEL ASSOCIATES

TEL: 877.948.8342 / 301.963.4630 ♦ Fax: 301.963.8640

WEB: <http://www.WeinschelAssociates.com>

EMAIL: sales@WeinschelAssociates.com

151

Specification
Subject to change
without notice